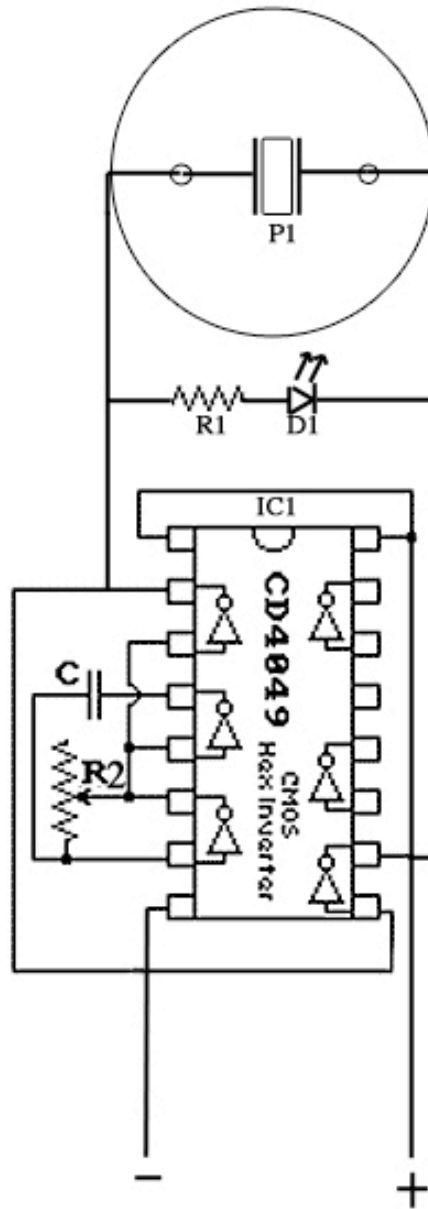


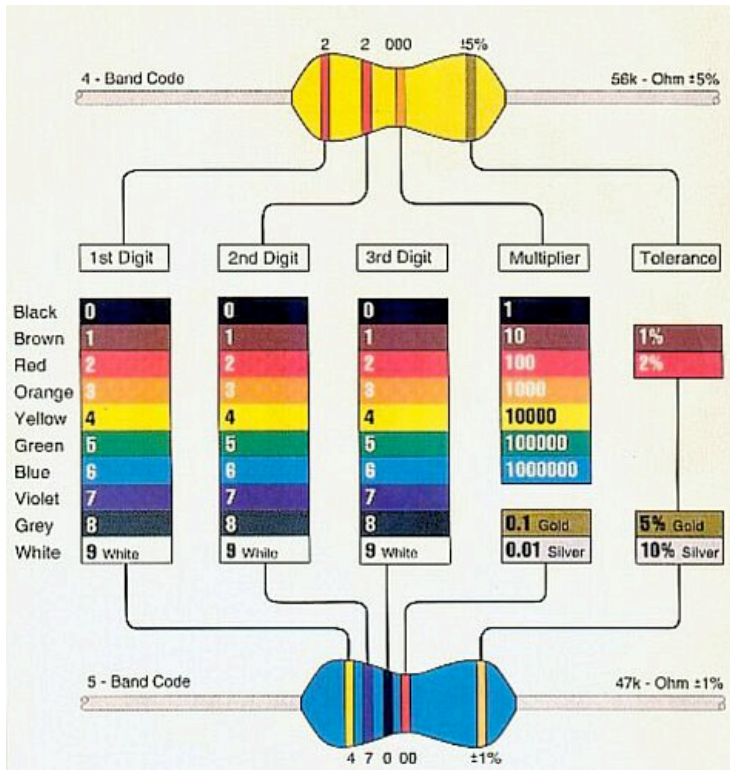
Bloominglabs Soldering Workshop

Phasor Circuit Schematic



- R1 - 2.2k
- R2 - 1M potentiometer
- C - .22uF (104)
- P1 - piezo speaker
- D1 - LED
- IC1 - 4049 CMOS hex inverter

Resistor Color Codes and Schematic Symbols



Black	0	Bad
Brown	1	Boys
Red	2	Race
Orange	3	Our
Yellow	4	Young
Green	5	Girls
Blue	6	Behind
Violet	7	Victory
Grey	8	Garden
White	9	Walls

